

Retail Space from 933 Square Feet for Lease

1410 & 1434 E. Lake Mead Parkway

Henderson, Nevada 89011



Lake Mead Commons

- * Lake Mead Parkway Frontage
- * Excellent Parking
- * 200 amp 3 Phase 120/208 Power
- * Great Truck Access
- * Anchored by CVS & Sonic

**MONTHLY RENTAL RATE:
\$1.00 PSF NNN**

Subject to Credit Approval



Bruce Familian - Owner Broker

(702) 592-7089 Cell

bruce@familian.org

Familian Realty Group, Inc.

5520 Stephanie Street

Las Vegas, Nevada 89122

(702) 227-9267 Office

(702) 227-9273 Fax

www.familian.org

Lake Mead Parkway

**FUTURE DEVELOPMENT
SMITHS ANCHORED CENTER**

Available Buildings

CVS
Pharmacy

One Stop

Sonic

Tavern

Car Wash

Lake Mead Commons

Retail A
10,500 s.f.

Retail B
15,283 s.f.

Retail C
9,128 s.f.

Grocery D
68,620 s.f. (footprint)
3,184 s.f. (mezzanine)
71,804 s.f. (TOTAL)

Retail E
10,000 s.f.

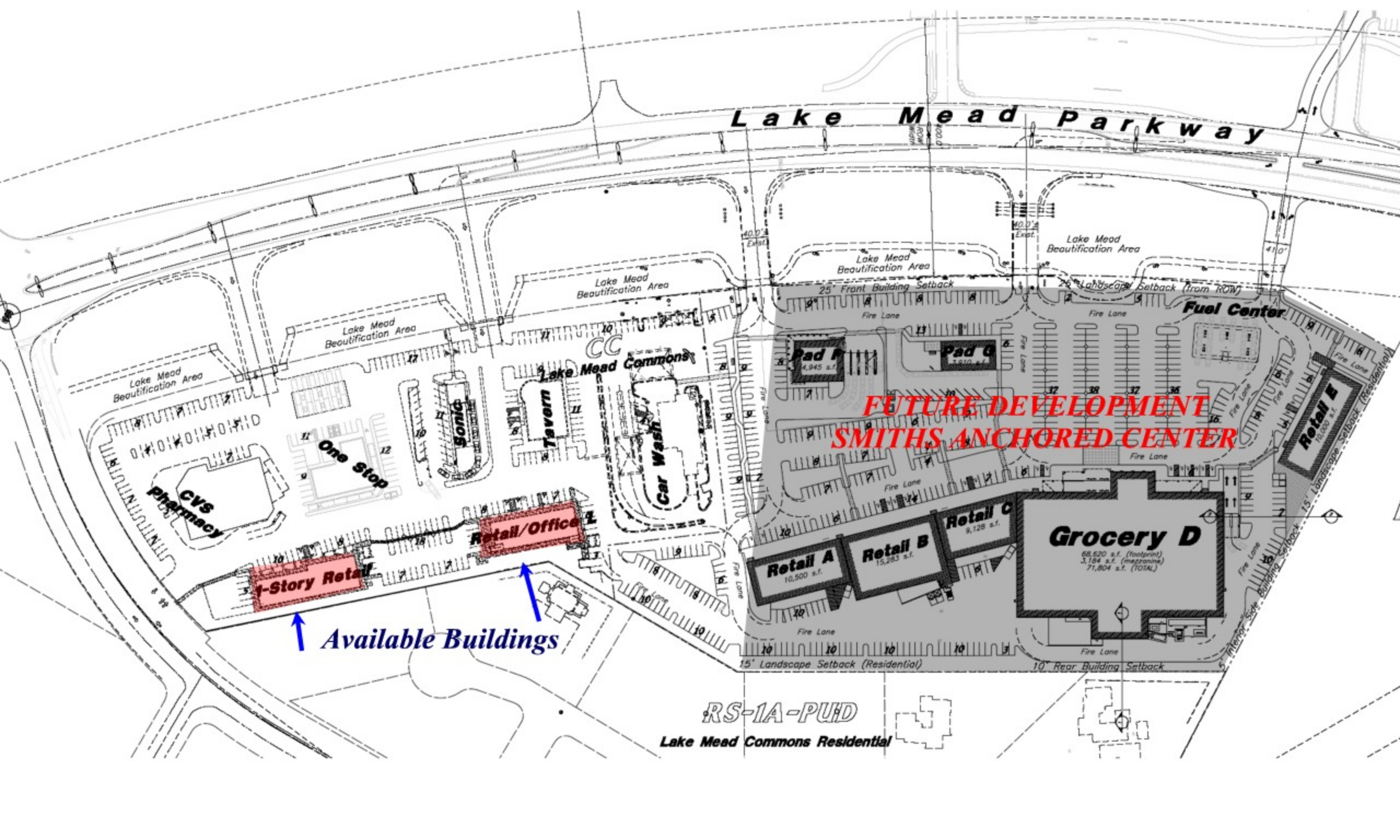
Fuel Center

Pad F
4,945 s.f.

Pad G
3,810 s.f.

RS-1A-PUD

Lake Mead Commons Residential





CALICO RIDGE
PLAZA

LAKE MEAD PKWY

PM 32-17

PM 35-27

PM 32-57

DUNCAN WAY

DE MARCO DR

PM 02-44

LAKE MEAD COMMONS

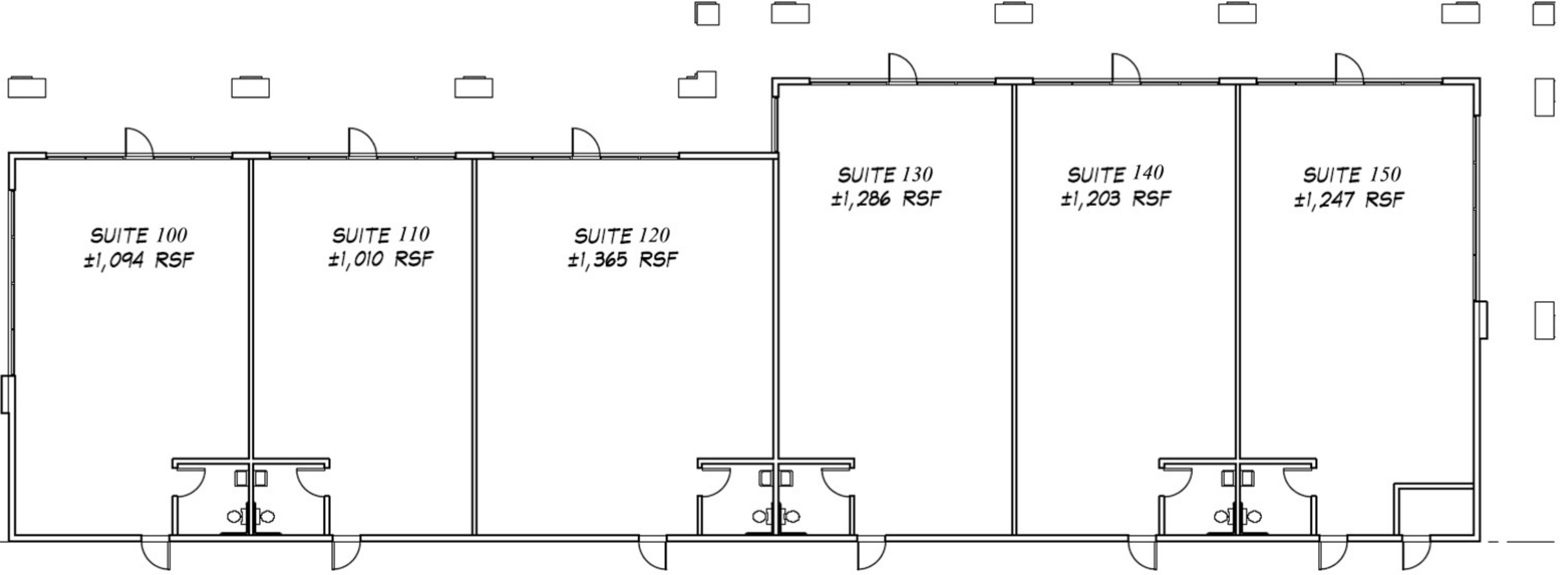
CALVILLE ESTATES CT

LAKE MEAD COMMONS RECREATIONAL

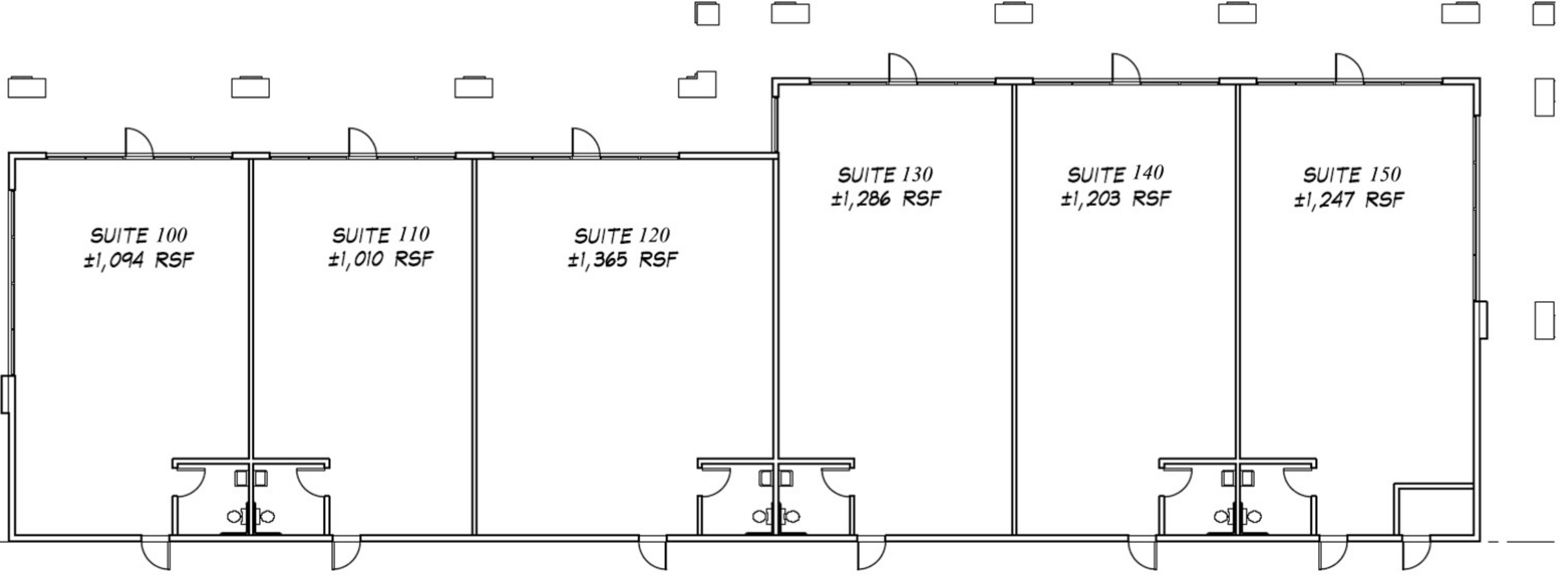
LEAD ESTATES WAY

ATHENS AVE

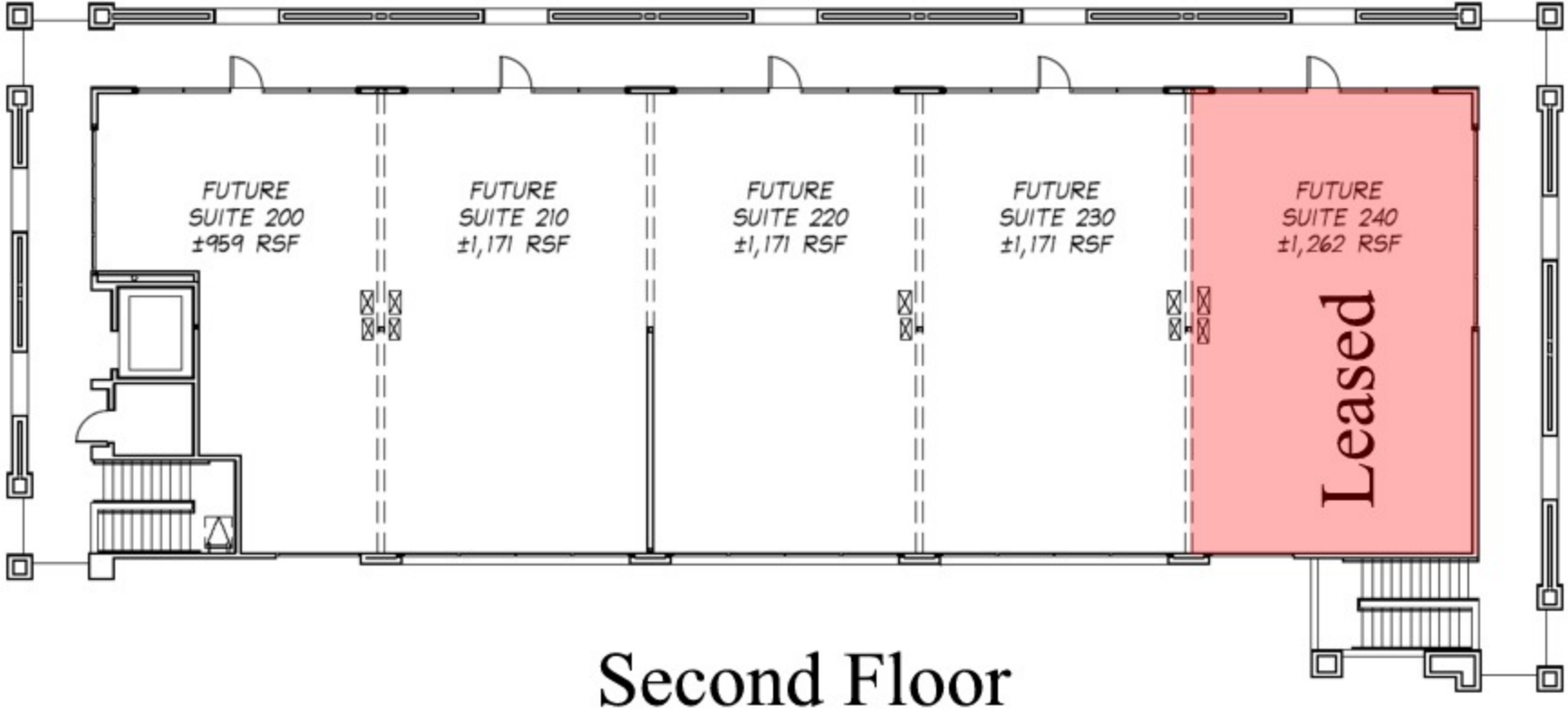
BACK RD



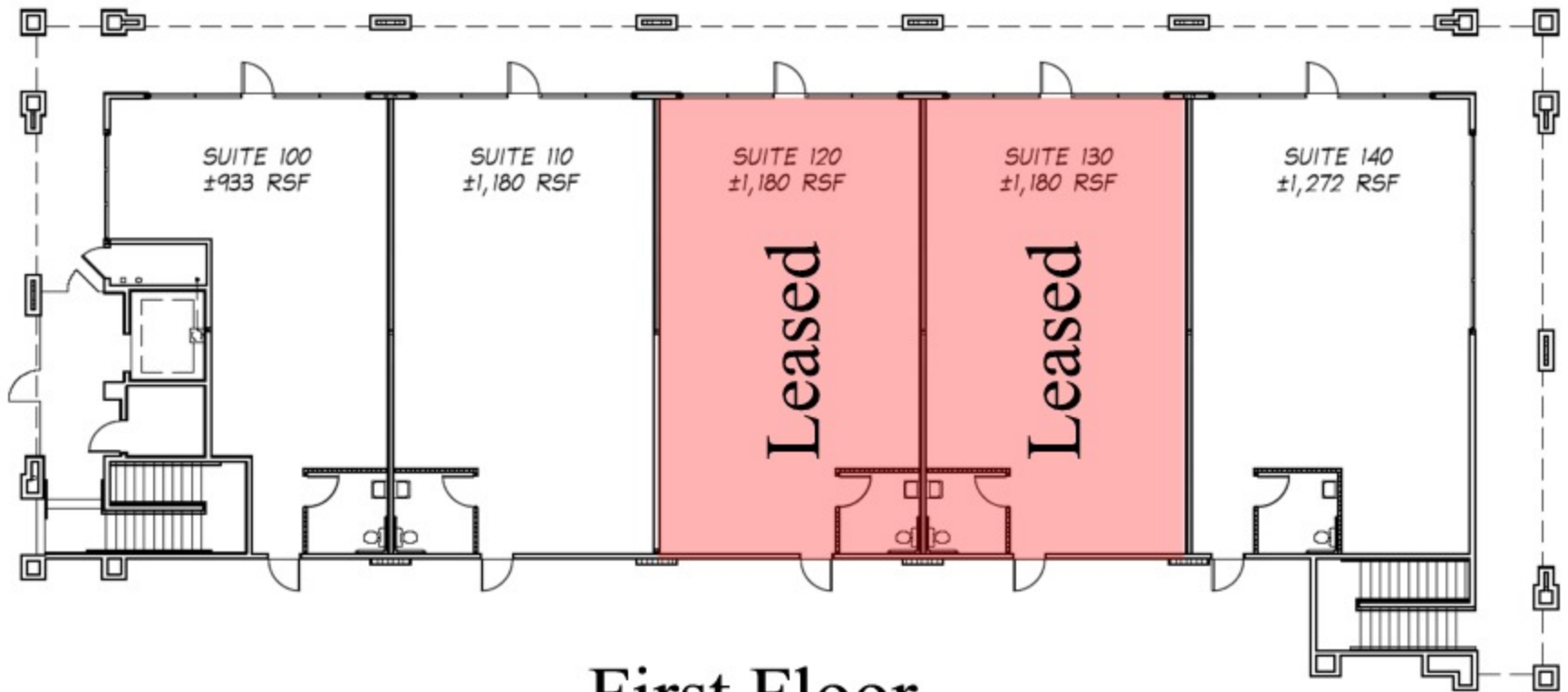
1410 E. Lake Mead Parkway
Henderson, Nevada



1410 E. Lake Mead Parkway
Henderson, Nevada



Second Floor



First Floor

1434 E. Lake Mead Parkway
Henderson, Nevada